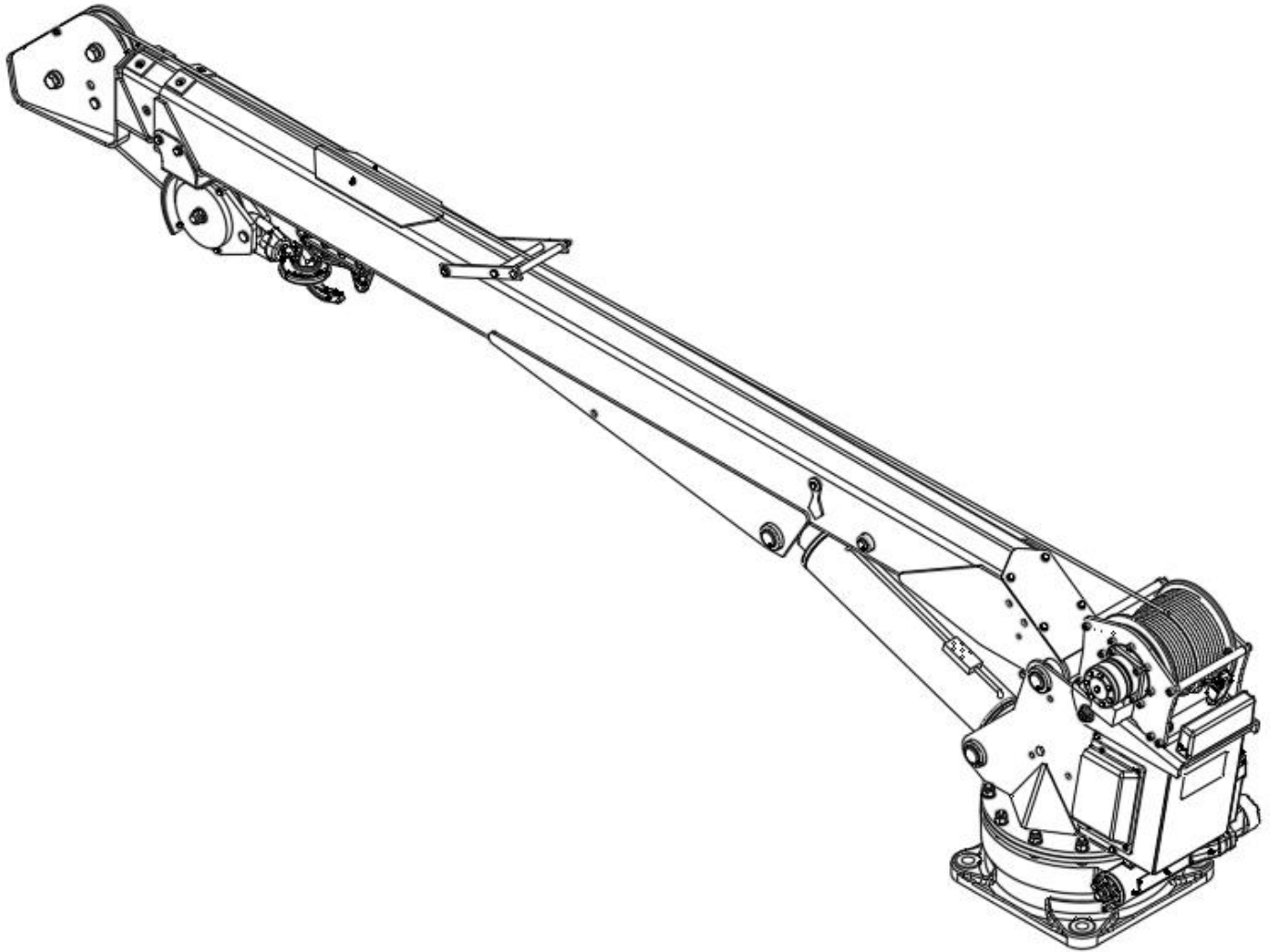


# maxilift 6800 cobra

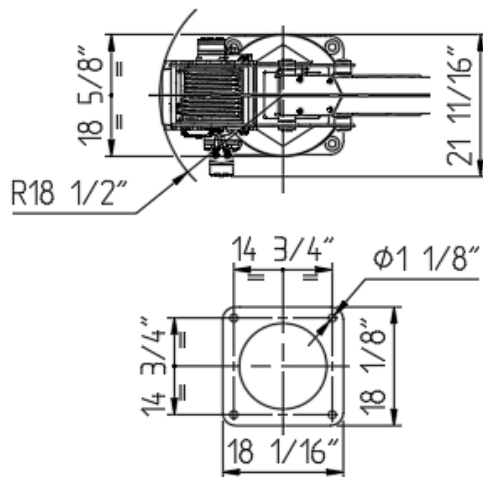
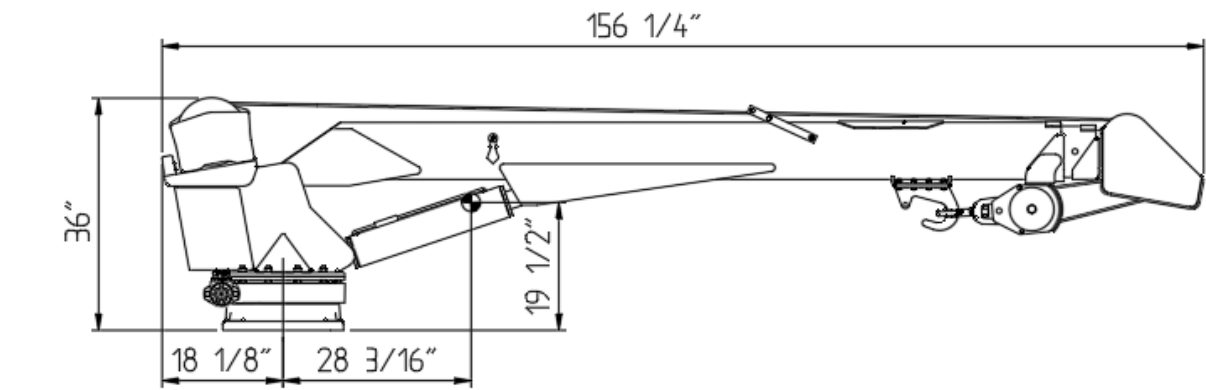
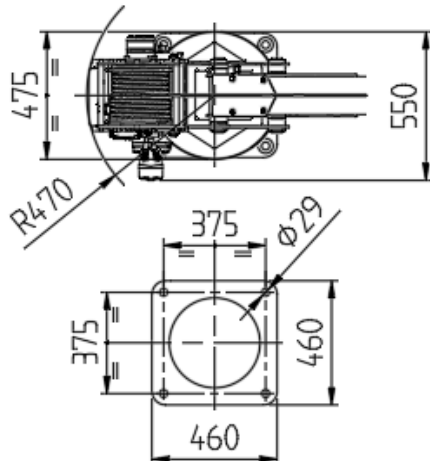
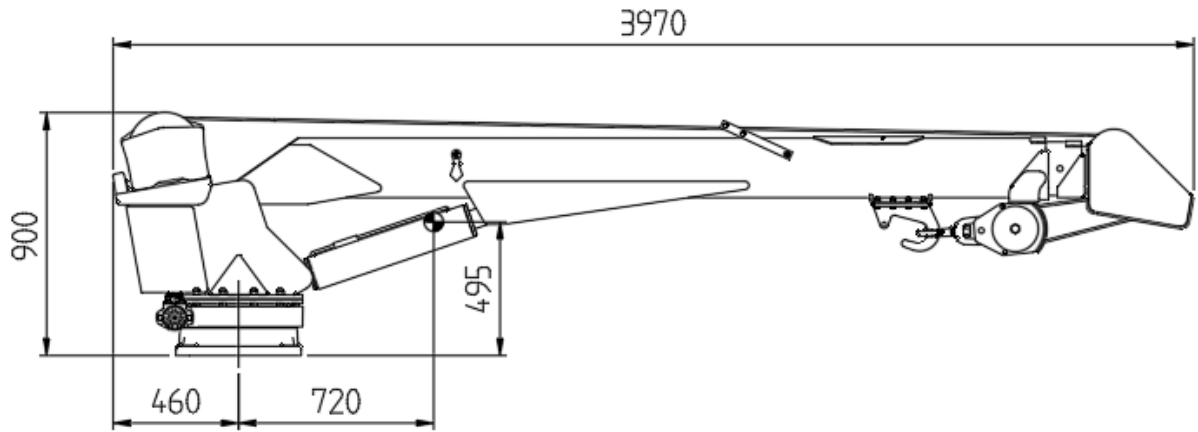


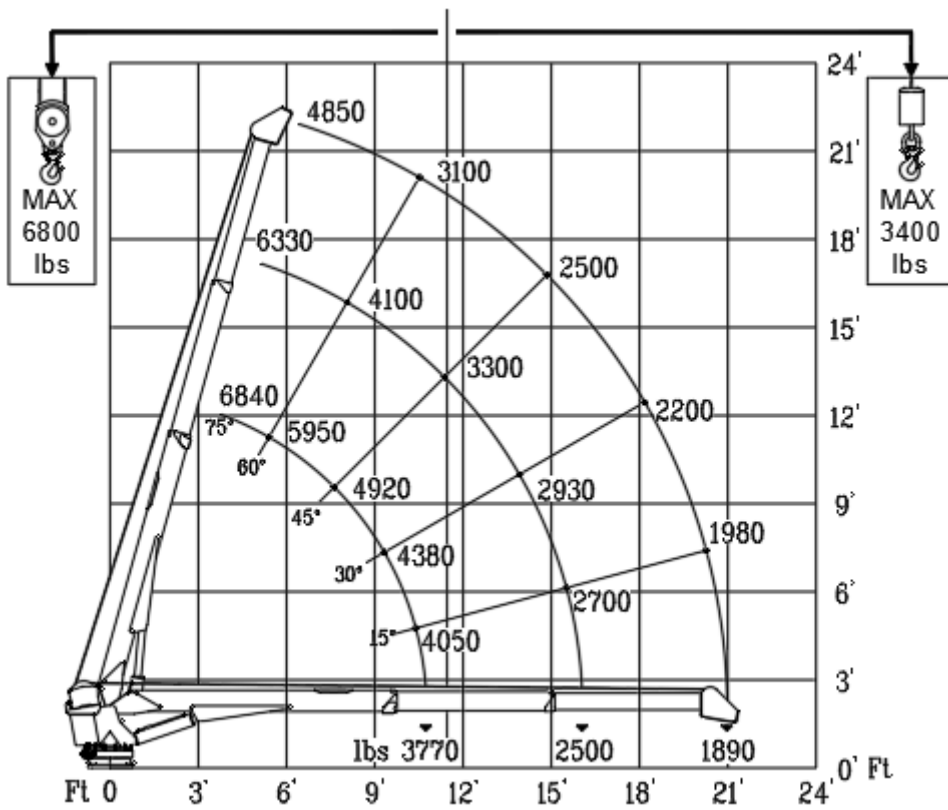
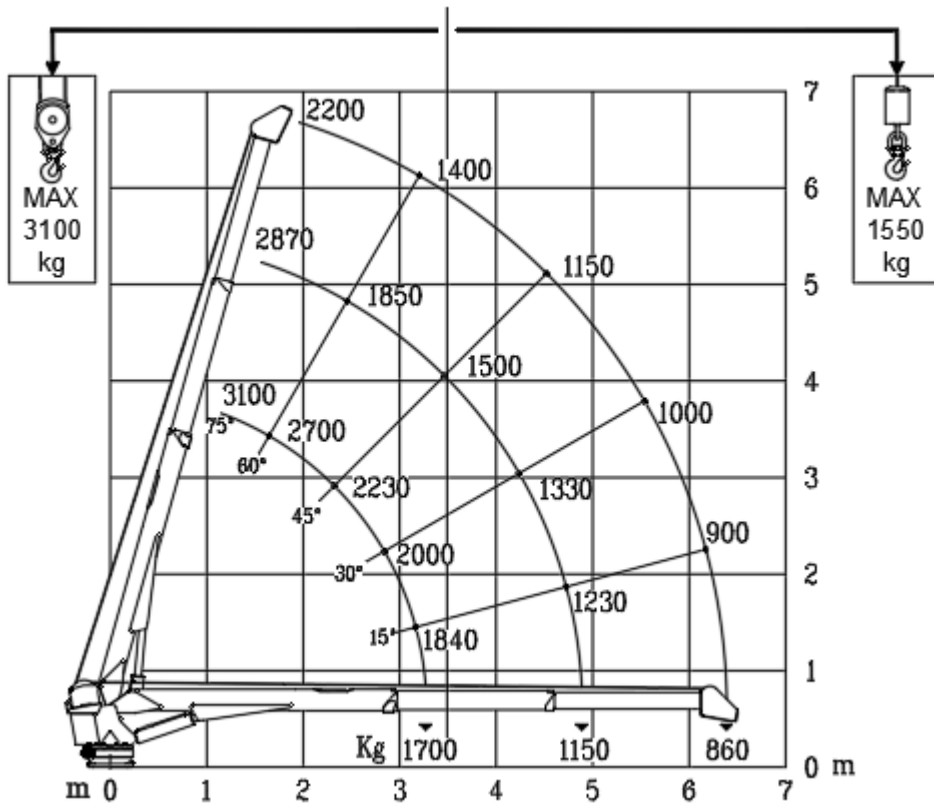
## TECHNICAL SHEET

MP.0.226  
Rev. Preliminary



**Next Hydraulics**<sup>®</sup>  
RAISE YOUR EXPECTATIONS





TECHNICAL DATA	<b>Cobra 6800</b>	
CRANE RATING	kNm ft.lbs	55.6 41000
EXTENSIONS TYPE		2 HYDRAULIC
HYDRAULIC EXTENSION	m ft	3.0 9' 10"
HORIZONTAL REACH (from center line of rotation)	m ft	6.4 21'
LIFTING HEIGHT FROM BASE OF CRANE	m ft	6.5 21'
SLEWING ANGLE	°	CONTINUOUS
SLEWING TORQUE	kNm ft.lbs	6.2 4575
BOOM ELEVATION ANGLE	°	-5°/ +75°
MAX. WORKING PRESSURE	bar psi	190 2760
SUGGESTED OIL FLOW	l/min gpm	16 - 18 4.2 - 4.8
CRANE WEIGHT	kg lbs	650 (H) - 680 (E 24) 1430 (H) - 1490 (E 24)

<b>WINCH SPECIFICATIONS</b>		
WINCH SINGLE LINE CAPACITY (1 <sup>ST</sup> layer)	kg lbs	1960 4320
WINCH SINGLE LINE CAPACITY (3 <sup>RD</sup> layer)	kg lbs	1600 3520
WINCH PULL LINE SPEED (2 <sup>ND</sup> -3 <sup>RD</sup> layer)	m/min ft/min	10 23
WIRE ROPE DIAMETER	mm in	10 3/8"
WIRE ROPE LENGTH	m ft	30 98' 5"